

LMP 952-953-954 series

Maximum working pressure up to 2.5 MPa (25 bar) - Flow rate up to 4500 l/min



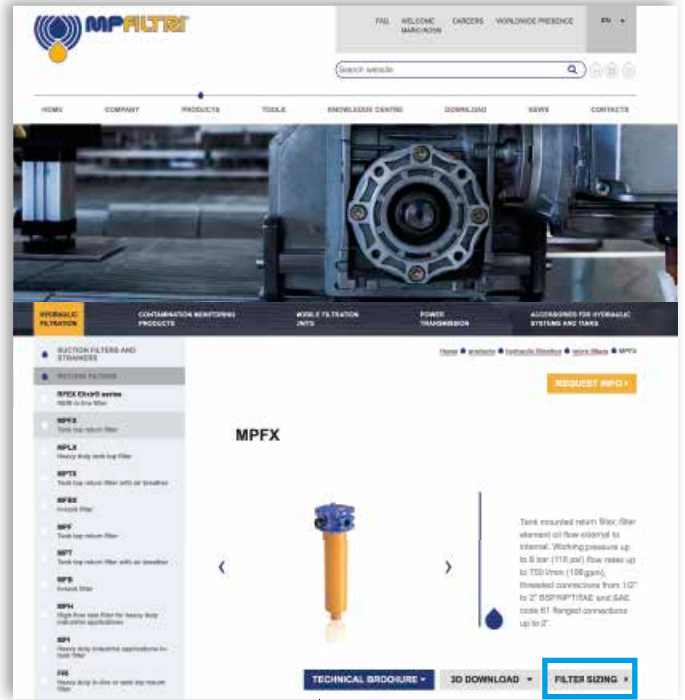
TYPICAL FILTER SIZING Selection Software

Step ①

Select "FILTER SIZING SOFTWARE" after login

OR

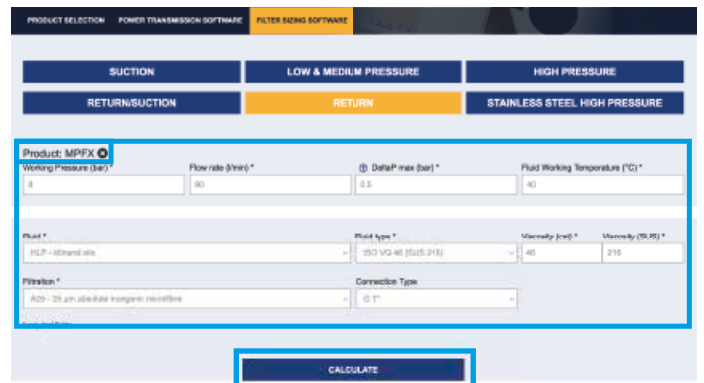
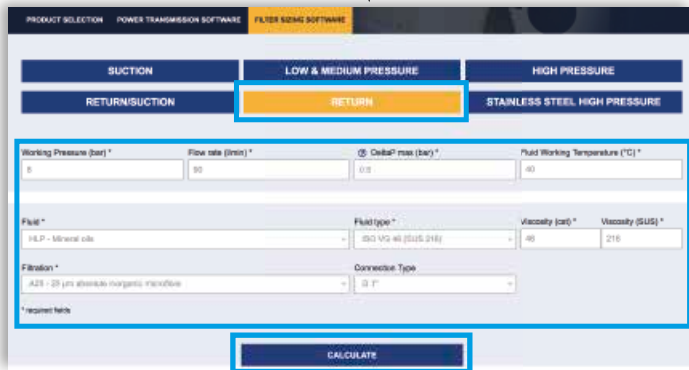
Select "FILTER SIZING" after login from a product page



Choose the type of filter family.
Enter the main data for sizing the filter
then push CALCULATE.

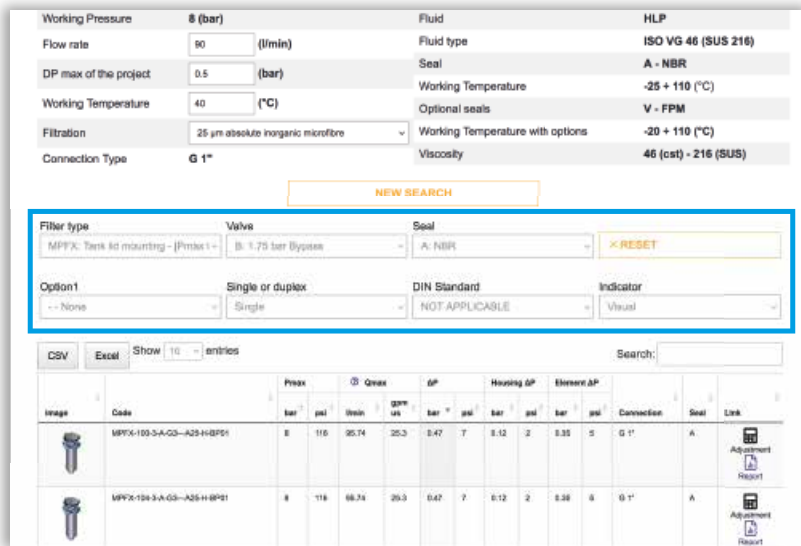
Step ②

Enter the main data for sizing the filter
then push CALCULATE.



Step ③

Select the desired options to choose the appropriate filter type for the application.



Step 4

Choose the most suitable filter from the proposed list.

Image	Code	Peak bar	Qmax gal/min	ΔP bar	Housing ΔP bar	Element ΔP bar	Connection	Seal	Link						
	MPFX-103-3-A-Q3-A25-H-BPFI	8	116	25.74	25.3	0.47	7	0.12	2	0.33	5	G 1"	A		
	MPFX-104-3-A-Q3-A25-H-BPFI	8	116	25.74	25.3	0.47	7	0.12	2	0.33	5	G 1"	A		

Step 5

It is possible to change the filter modifying every parameter.



A SAVE YOUR FILTER'S REPORT



B MANUAL EDIT



SAVE IN YOUR ARCHIVE
typing your reference data and then SAVE AS PDF



A new browser window displays the pdf

see **A**

Close the report window



By clicking your WELCOME button, the SHOW REPORTS is displayed: select it to see your filters list.

Description

Technical data

Low & Medium Pressure filters

Maximum working pressure up to 2.5 MPa (25 bar)
Flow rate up to 4500 l/min

LMP952, LMP953 and LMP954 are ranges of low pressure filter with large filtration surface mainly suitable for lubrication, off-line filtration of the reservoirs and filtration equipment.

Multiple LMP950 filters are connected to a manifold to reduce the pressure drop caused by the filter media and to increase the life time of the filter element.

They are directly connected to the lines of the system through the hydraulic fittings.

Available features:

- 4" flanged connections, for a maximum flow rate of 3000 l/min
- Base-mounting design, for ease of the replacement of the filter element
- Fine filtration rating, to get a good cleanliness level into the system
- Water removal elements, to remove the free water from the hydraulic fluid. For further information, see the Contamination Management document and the dedicate leaflet.
- Bypass valve, to relieve excessive pressure drop across the filter media
- Vent ports, to avoid air trapped into the filter going into the system
- Drain ports, to remove the fluid from the housing prior the maintenance work
- Visual, electrical and electronic differential clogging indicators

Common applications:

- Off-line filtration of reservoirs
- Filtration systems

Filter housing materials

- Head: Anodized Aluminium
- Housing: Anodized Aluminium
- Manifolds: Welded - Phosphatized Steel
- Bypass valve: Anodized Aluminium

Pressure

Test pressure: 3.5 MPa (35 bar)

Bypass valve

- Opening pressure 350 kPa (3.5 bar) $\pm 10\%$
- Other opening pressures on request.

Δp element type

- Microfibre filter elements - series N: 20 bar
- Fluid flow through the filter element from OUT to IN

Number of filter elements

- LMP 952: 2 filter elements CU950-3
- LMP 953: 3 filter elements CU950-3
- LMP 954: 4 filter elements CU950-3

Seals

- Standard NBR series A
- Optional FPM series V

Temperature

From -25 °C to +110 °C

Connections

LMP 952-953-954:
In-line Inlet/Outlet

Note

LMP 952 - 953 - 954 filters
are provided for vertical mounting



Weights [kg] and volumes [dm³]

Filter series	Weights [kg]		Volumes [dm ³]	
	Length	3	Length	3
LMP 952		96		66
LMP 953		138		99
LMP 954		192		132

Filter series	Length	Filter element design - N Series					
		A03	A06	A10	A16	A25	M25 M60 M90 M250
LMP 952	3	2172	2294	2766	3106	3256	3998
LMP 953	3	2842	2964	3403	3696	3820	4395
LMP 954	3	3259	3372	3770	4026	4133	4618

Maximum flow rate for a complete low and medium pressure filter with a pressure drop $\Delta p = 0.7$ bar.

The reference fluid has a kinematic viscosity of 30 mm²/s (cSt) and a density of 0.86 kg/dm³.

For different pressure drop or fluid viscosity we recommend to use our selection software available on www.mpfiltri.com.

You can also calculate the right size using the formulas present on the FILTER SIZING paragraph at the beginning of the full catalogue or at the beginning of the filter family brochure. Please, contact our Sales Department for further additional information.

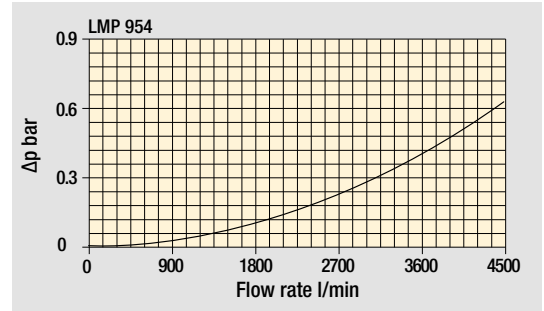
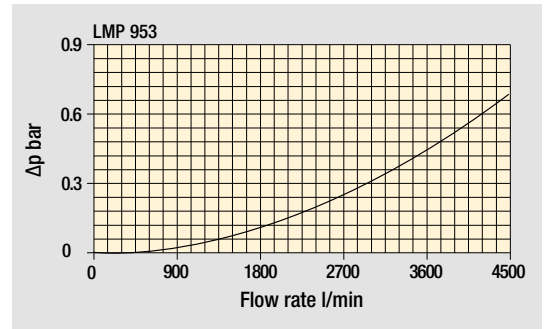
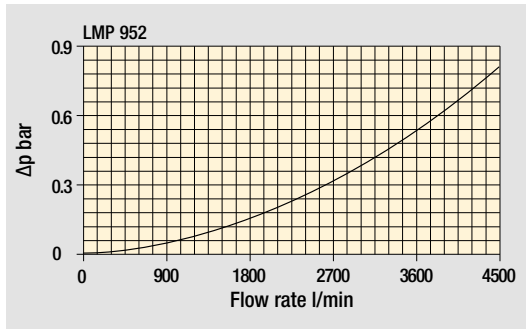
Hydraulic symbols

Filter series	Execution S - Execution B	Execution S - Execution B	Execution S - Execution B
LMP 952	•	•	•
LMP 953	•	•	•
LMP 954	•	•	•

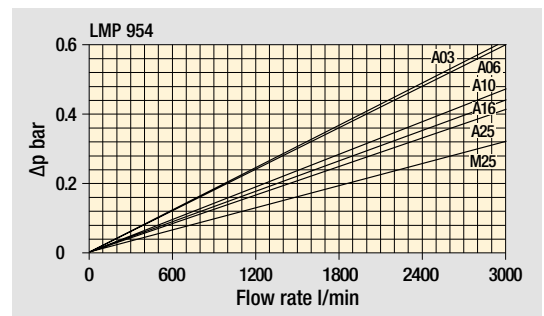
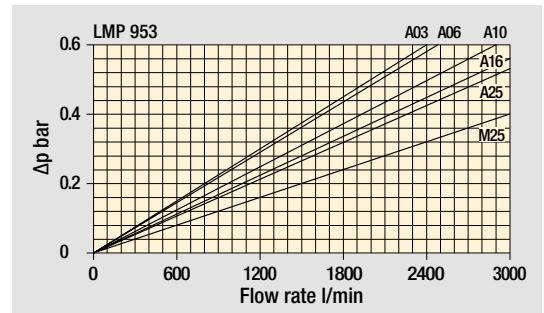
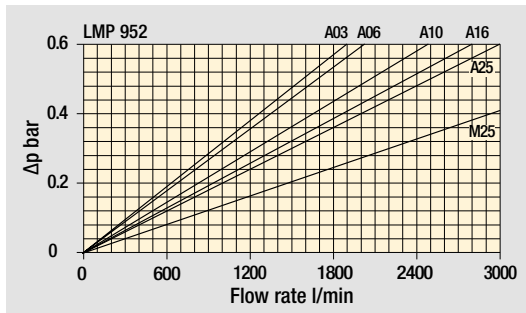
LMP 952-953-954 GENERAL INFORMATION

Pressure drop

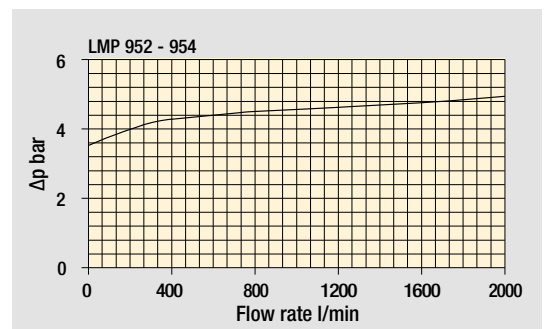
Filter housings Δp pressure drop



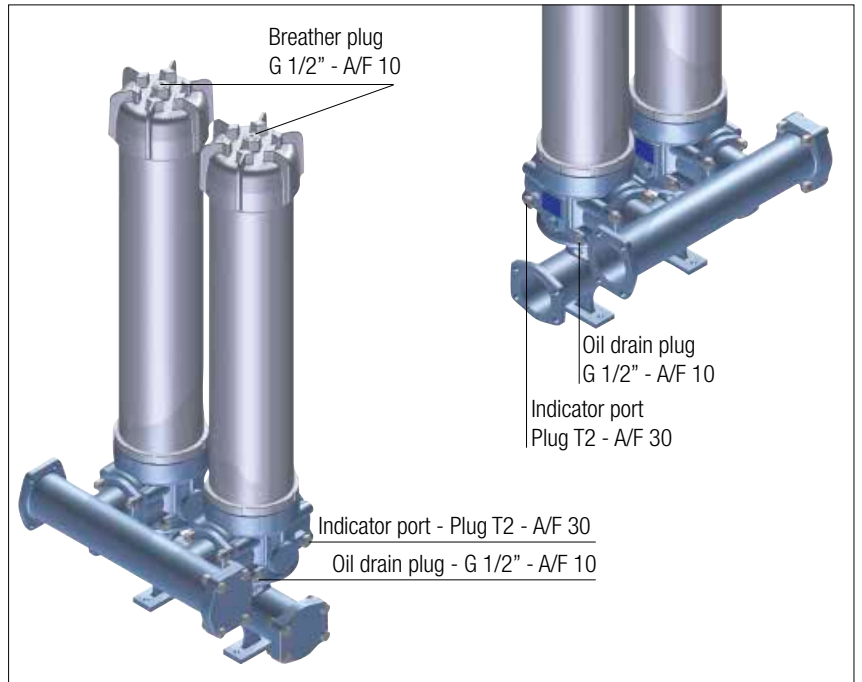
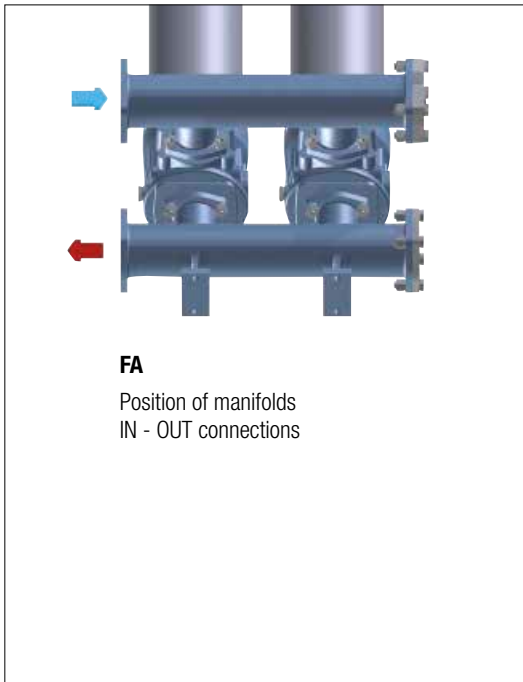
Pressure drop of filter complete with cartridge, oil viscosity 30 mm²/s (cSt)



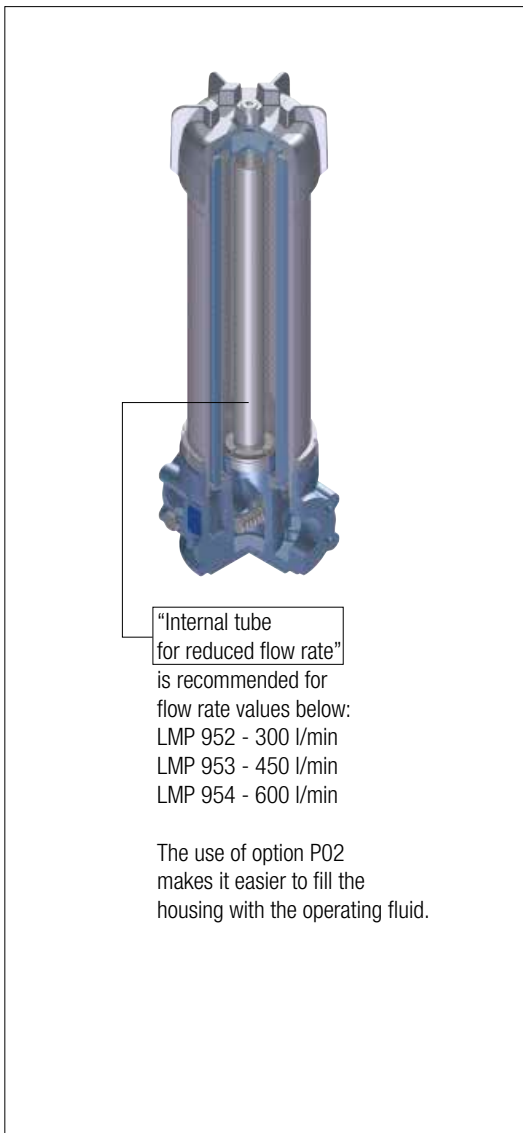
Bypass valve pressure drop



The curves are plotted using mineral oil with density of 0.86 kg/dm³ in compliance with ISO 3968. Δp varies proportionally with density.

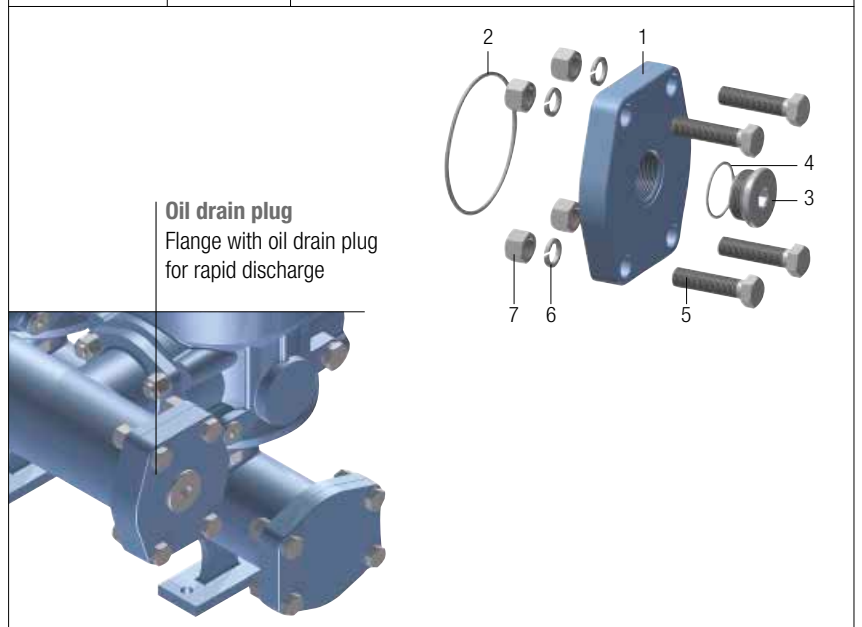


Execution P02



CMV4 & CUV4 Flange options

Code	Thread	Materials
CMV4	G 1 1/4"	1 - 4" SAE flange 2 - O-R 4437 (FPM) for flange 3 - Plug G 1-1/4" 4 - O-R 3168 for plug (FPM) 5 - No. 4 Hex bolt screws UNI-EN 24017 M16 x 65-10.9 6 - No. 4 Spring washers UNI 1751-B 16 7 - No. 4 Nuts UNI 5587 - M16
CUV4	SAE 20	1 - 4" SAE flange 2 - O-R 4437 (FPM) for flange 3 - Plug SAE 20 1 5/8" - 12 UN 4 - 1147 O-R for plug (FPM) 5 - No. 4 Hex bolt screws 5/8" UNC x 2 1/2" 6 - No. 4 Spring washers UNI 1751-B 16 7 - No. 4 Nuts 5/8" UNC



LMP 952-953-954

Designation & Ordering code

COMPLETE FILTER

Series and size	Configuration example: LMP952 3 B A FA A10 N P01																	
LMP952 LMP953 LMP954																		
Length	3																	
Bypass valve	S Without bypass B 3.5 bar																	
Seals and treatments	A NBR V FPM																	
Connections	FA 4" SAE 3000 psi																	
Filtration rating (filter media)	<table border="0"> <tr> <td>A03 Inorganic microfiber 3 µm</td> <td>M25 Wire mesh 25 µm</td> </tr> <tr> <td>A06 Inorganic microfiber 6 µm</td> <td>M60 Wire mesh 60 µm</td> </tr> <tr> <td>A10 Inorganic microfiber 10 µm</td> <td>M90 Wire mesh 90 µm</td> </tr> <tr> <td>A16 Inorganic microfiber 16 µm</td> <td></td> </tr> <tr> <td>A25 Inorganic microfiber 25 µm</td> <td></td> </tr> </table>								A03 Inorganic microfiber 3 µm	M25 Wire mesh 25 µm	A06 Inorganic microfiber 6 µm	M60 Wire mesh 60 µm	A10 Inorganic microfiber 10 µm	M90 Wire mesh 90 µm	A16 Inorganic microfiber 16 µm		A25 Inorganic microfiber 25 µm	
A03 Inorganic microfiber 3 µm	M25 Wire mesh 25 µm																	
A06 Inorganic microfiber 6 µm	M60 Wire mesh 60 µm																	
A10 Inorganic microfiber 10 µm	M90 Wire mesh 90 µm																	
A16 Inorganic microfiber 16 µm																		
A25 Inorganic microfiber 25 µm																		
WA025 Water absorber inorganic microfiber 25 µm																		
	Element Δp				Execution													
	N 20 bar				P01 MP Filtri standard P02 With internal tube for reduced flow rate Pxx Customized													

FILTER ELEMENT

Element series and size	Configuration example: CU950 3 A10 A N P01																
CU950																	
Element length	3																
Filter series and size	LMP952 Nr. 2 filter elements LMP953 Nr. 3 filter elements LMP954 Nr. 4 filter elements																
Filtration rating (filter media)	<table border="0"> <tr> <td>A03 Inorganic microfiber 3 µm</td> <td>M25 Wire mesh 25 µm</td> </tr> <tr> <td>A06 Inorganic microfiber 6 µm</td> <td>M60 Wire mesh 60 µm</td> </tr> <tr> <td>A10 Inorganic microfiber 10 µm</td> <td>M90 Wire mesh 90 µm</td> </tr> <tr> <td>A16 Inorganic microfiber 16 µm</td> <td></td> </tr> <tr> <td>A25 Inorganic microfiber 25 µm</td> <td></td> </tr> </table>							A03 Inorganic microfiber 3 µm	M25 Wire mesh 25 µm	A06 Inorganic microfiber 6 µm	M60 Wire mesh 60 µm	A10 Inorganic microfiber 10 µm	M90 Wire mesh 90 µm	A16 Inorganic microfiber 16 µm		A25 Inorganic microfiber 25 µm	
A03 Inorganic microfiber 3 µm	M25 Wire mesh 25 µm																
A06 Inorganic microfiber 6 µm	M60 Wire mesh 60 µm																
A10 Inorganic microfiber 10 µm	M90 Wire mesh 90 µm																
A16 Inorganic microfiber 16 µm																	
A25 Inorganic microfiber 25 µm																	
WA025 Water absorber inorganic microfiber 25 µm																	
Seals	A NBR V FPM																
	Element Δp				Execution												
	N 20 bar				P01 MP Filtri standard Pxx Customized												

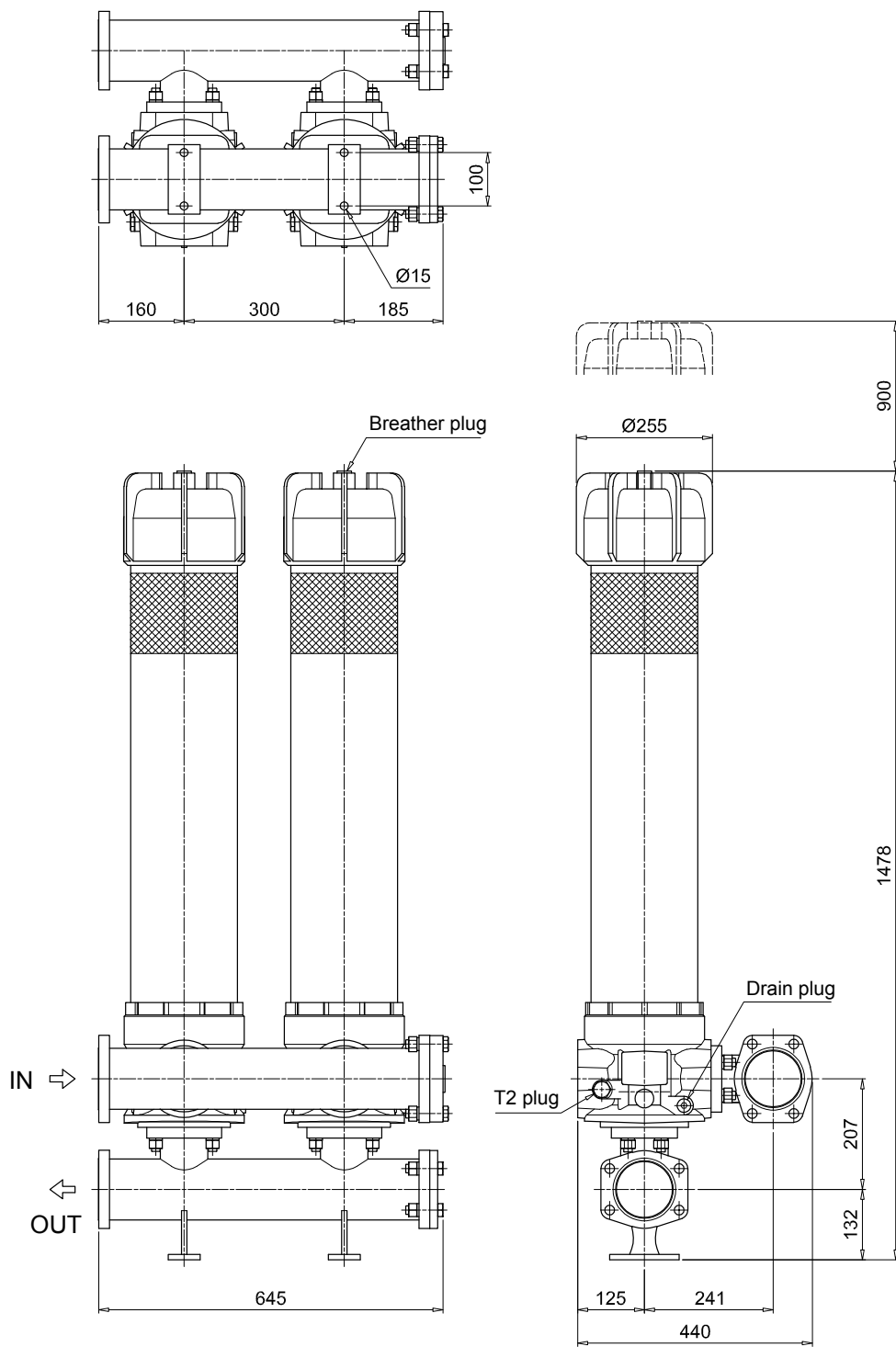
ACCESSORIES

Differential indicators	page		page
DEA Electrical differential indicator	445	DTA Electronic differential indicator	448
DEM Electrical differential indicator	445-446	DVA Visual differential indicator	448
DLA Electrical / visual differential indicator	446-447	DVM Visual differential indicator	448
DLE Electrical / visual differential indicator	447		
Additional features	page		
T2 Plug	449		

LMP 952-953-954

Dimensions

LMP952

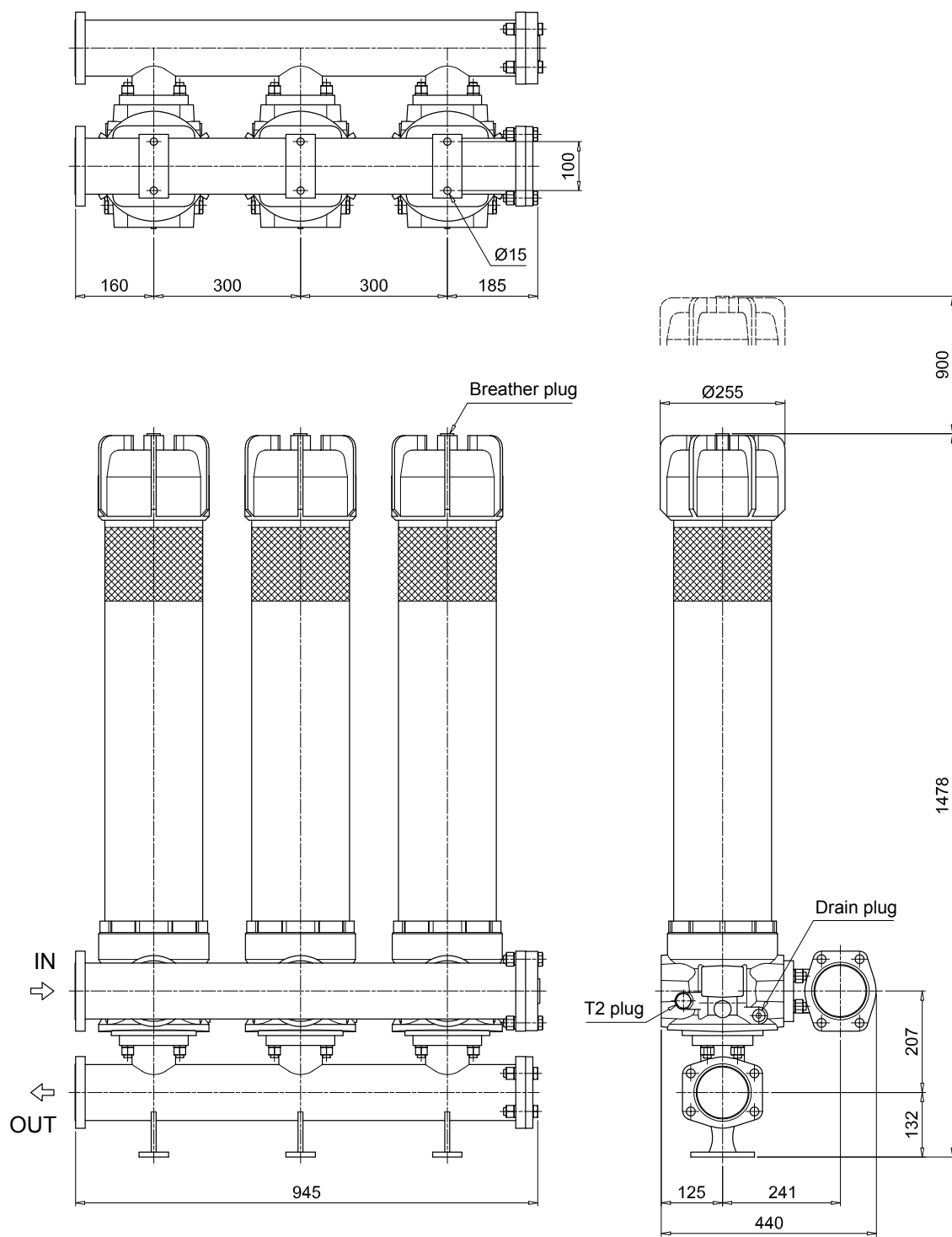


T2 plug =
connection for differential indicator

LMP 952-953-954

Dimensions

LMP953

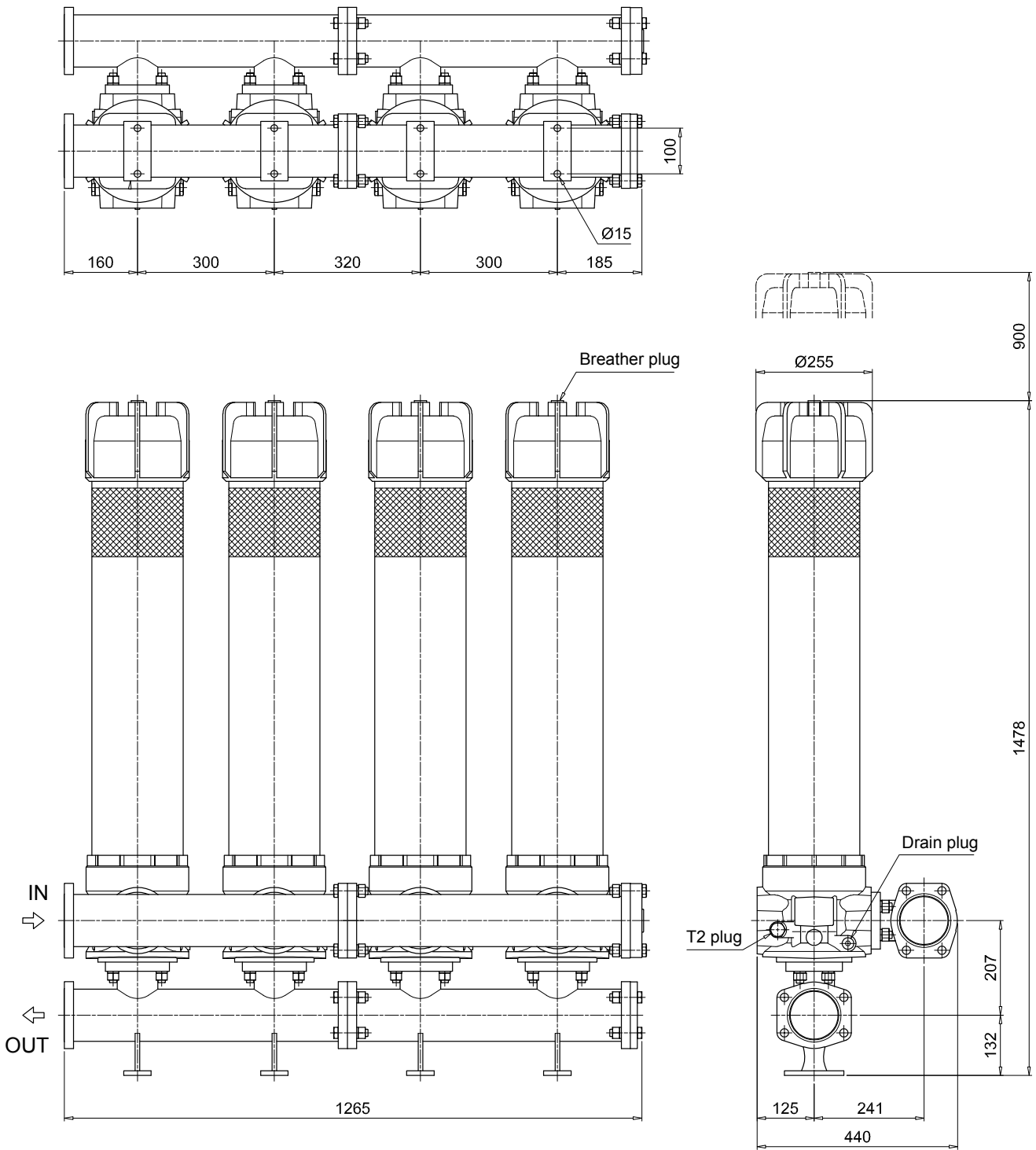


T2 plug =
connection for differential indicator

LMP 952-953-954

Dimensions

LMP954

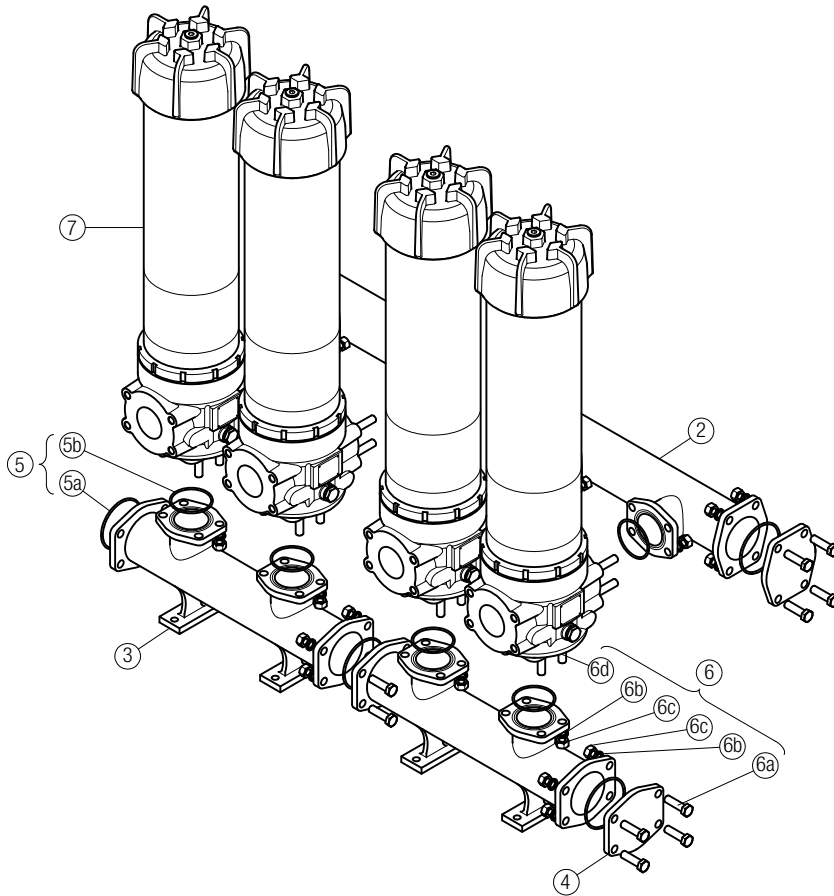


T2 plug =
connection for differential indicator

LMP 952-953-954 SPARE PARTS

Order number for spare parts

LMP 952 - 953 - 954



Item 7:
for complete filter code and
spare parts, see
LMP 950 - 951 series chapter

Quantity:
- filter spare parts:
LMP 952 - 2 pcs.
LMP 953 - 3 pcs.
LMP 954 - 4 pcs.

- filter seal kit:
LMP 952 - 2 pcs.
LMP 953 - 3 pcs.
LMP 954 - 4 pcs.

Item:	2		3		4		5 (5a-5b)		6 (6a ÷ 6d)		7	
Filter series	Q.ty	Manifold IN	OUT	4" SAE 3000 psi plugged flange Q.ty	Q.ty	Manifolds seal kit		Q.ty	Threaded fasteners kit		Q.ty	Filter
LMP 952	1 pc.	01039270	01039271	2 pcs.	01042012	1 pc.	02050404	02050405	1 pc.	02049051	2 pcs.	LMP9513xxF1xxxNP0x
LMP 953	1 pc.	01039337	01039338	2 pcs.		1 pc.	02050404	02050405	1 pc.	02049052	3 pcs.	
LMP 954	2 pcs.	01039270	01039271	2 pcs.		1 pc.	02050406	02050407	1 pc.	02049053	4 pcs.	